

# Portable High Vacuum Unit

Clean air systems for a safe and healthy working environment





***PlymoVent's PHV-400 is a user-friendly, portable unit on wheels that is used to provide efficient welding fume extraction at source.*** It is compact and light and easy to handle and use. Pre-eminently suitable for on-site light to moderate welding jobs, in confined spaces or at difficult to reach welding locations.

## **Incomparable to the conventional portable units:**

***The new PHV is a leap forward.*** PlymoVent has created yet another technological breakthrough by introducing the PHV. This portable unit is ahead of its time on performance, design and ease of handling, fulfilling both current and future requirements. The PHV can be used everywhere, also in locations that are not or hardly accessible to stationary units or to the larger mobile welding fume extraction units.

### ▶ **Innovative design**

The auto start/stop device automatically switches the PHV on when welding takes place. Its weight is minimal due to the use of impact-resistant synthetic components. The standard set of wheels on the PHV allows easy movement of the unit.

### ▶ **Unique price-quality ratio**

The PHV is equipped with a Dura-H® main filter and a HEPA final filter, an auto start/stop device and two powerful forced-cooling motors and two extraction capacities. Its sound insulation is also excellent.

### ▶ **Dura-H® filter technique**

The unique Dura-H main filter has a surface area of no less than 12 m<sup>2</sup>. This results in a longer life and consistently high filtration efficiency without the need to clean the filter. Once the Dura-H filter is fully contaminated with particulate material, the complete cartridge can be disposed off cleanly and safely without exposing the operator to the pollutant.

### ▶ **Four-stage filtration system**

The welding fumes enter the unit via a metal pre-separator and flow through, consecutively, the aluminium pre-filter, the Dura-H® main filter, an optional activated carbon filter and a HEPA filter. This final filter before the clean air leaves the unit guarantees a filtration efficiency of 99.9% under all circumstances.





**Flexibility.** PlymoVent provides an innovative solution for all kinds of welding activities at any location.



**Wall mounted** You can order several different accessories for your PHV, for example a wall mounting bracket for fixed installation.

## Perfect welding fume extraction now within easy reach!

**Health hazard.** It is a health hazard when the concentration of welding fumes is too high in the working area. Welders perform better in a clean and healthy environment where they know that they are optimally protected from these hazards. Good welding fume extraction results in a higher productivity and a lower absentee rate.

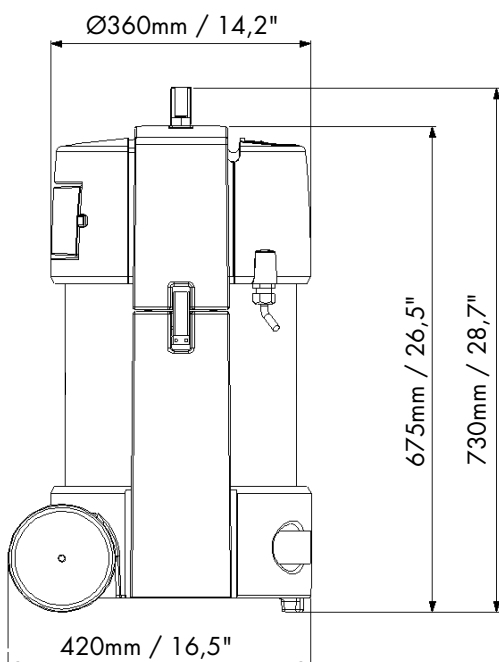
### ► Low noise level

No effort was spared to ensure that the PHV is as quiet as possible. A smart sound insulation material is fitted into the air exhaust that provides a significant sound reduction without affecting the motor cooling.

### ► Two powerful motors

The two motors guarantee an adequate extraction capacity under all conditions. At low welding fume concentrations, the extraction capacity can be halved and both motors operate at half speed with the following advantages: a constant motor load, a lower noise level and reduced maintenance.

The forced-cooling allows a continuous use of the PHV and an additional set of carbon brushes is provided with the unit.



### Technical specifications

Models:	PHV-400 , PHV-400-BIA
Number of motors:	2 pcs
Motor power consumption:	2 x 1kW
Automatic start/stop device:	standard
Power supply:	115V/single phase/50-60 Hz 230V/single phase/50-60 Hz
Max. extraction capacity:	position 1 - 160 m <sup>3</sup> /h position 2 - 230 m <sup>3</sup> /h
Noise level with extraction torch installed:	position 1 - 63 dB(A) position 2 - 70 dB(A)
Main filter with spark arrester:	12 m <sup>2</sup>
Final filter:	HEPA, filter class H12
Filter efficiency:	99,9%
Activated carbon filter:	optional
Set of wheels:	standard
Hose:	2,5m standard
Weight:	15 kg
Clogged filter indicator and BIA-W3:	optional (PHV-400-BIA)





**Applications** The PHV is used by many hundreds of satisfied customers around the world. Welding as shown in the pictures above, are just some examples. For more information, visit [www.plymovent.com](http://www.plymovent.com).



### Accessories and supplementary products

- Round funnel extraction nozzle PHV-ROUND
- Slot extraction nozzle PHV-SLOT
- Extraction hose 2,5 (standard) or 5m length with end couplings, PHV-2,5 / PHV-5.
- Hose connection PHV-OUT to dispose filtrated welding fumes, e.g. when welding stainless steel.
- Nozzle kits to provide extraction facility on standard welding torches; type PHV-NK1 for top-extraction and type PKV-NK2 for annular extraction.
- Activated carbon filter PHV-CF (PHV-CF5 5pcs) to neutralise smells.
- Wall mounting bracket PHV-WB.
- For more options and accessories visit us at [www.plymovent.com](http://www.plymovent.com)



### At source capture - Intelligent process ventilation

*Our mission is to protect people all over the world from airborne contaminants. We have developed a unique technology to capture the pollution directly at the source, instead of allowing it to spread into the local environment. A more intelligent ventilation solution that gives you a safe and healthy working environment for your employees - and minimal investments and energy consumption.*

*For more information, visit us at [www.plymovent.com](http://www.plymovent.com).*



**PlymoVent Ltd**  
 Marley Way, Southam Road  
 Banbury, OX16 2RA, England  
 Tel: +44 1295 25 93 11  
 Fax: +44 1295 27 17 50  
[info@plymovent.co.uk](mailto:info@plymovent.co.uk)  
[www.plymovent.co.uk](http://www.plymovent.co.uk)

**PlymoVent AB**  
 Industrigatan 26  
 SE-212 14 Malmö, Sweden  
 Tel: +46 40 30 31 30  
 Fax: +46 40 30 31 40  
[info@plymovent.se](mailto:info@plymovent.se)  
[www.plymovent.se](http://www.plymovent.se)

**PlymoVent Corp.**  
 115 Melrich Road  
 Cranbury, N.J. 08512, USA  
 Tel: +1 609 395 3500  
 Fax: +1 609 655 0919  
[info@plymoventusa.com](mailto:info@plymoventusa.com)  
[www.plymovent.com](http://www.plymovent.com)

**PlymoVent Inc**  
 6615 Ordan Drive, Unit #3  
 Mississauga, ON. L5T 1X2, Canada  
 Tel: +1 905 564 4748  
 Fax: +1 905 564 4609  
 Montreal Office: Tel +1 514 630 2766  
[info@plymovent.ca](mailto:info@plymovent.ca)  
[www.plymovent.ca](http://www.plymovent.ca)

PlymoVent representative